

## Service instruction

SANI  
4617

### Cassette Toilet for Recreation Vehicles

CT 3050    CTS 3050    CTW 3050    CTLP 3050  
CT 3110    CTS 3110    CTW 3110    CTLP 3110    CTP 3110



Publication-No.:  
599 7079-16 EN

T.B. MBA 04/2008

**N 1-1**

**English**



Dometic GmbH  
In der Steinwiese 16  
D-57074 Siegen

[www.dometic.com](http://www.dometic.com)

## Table of contents

<b>1.0</b>	<b>Description of models</b>	<b>4</b>
1.1	Model identifications	4
1.2	Description of models	4
1.2.1	CT 3050	4
1.2.2	CTS 3050	5
1.2.3	CTW 3050	5
1.2.4	CLP 3050	5
1.2.5	CT 3110	6
1.2.6	CTS 3110	6
1.2.7	CTW 3110	6
1.2.8	CTLP 3110	7
1.2.9	CTL 3110	7
<b>2.0</b>	<b>Explanation of components</b>	<b>8</b>
2.1	Name of components	8
2.2	Adjustable toilet seat	9
2.2.1	Toilet seat	9
2.2.2	Replacing the toilet seat	19
2.3	Control and operator panel	10
2.3.1	Operation and display	10
2.3.2	Removing the control and operator panel	12
2.4	Cassette tank	14
2.4.1	Components of the cassette tank	14
2.4.2	Removing the cassette seal	15
2.5	Water valve	16
2.5.1	Water supply	16
2.6	Ventilation	17
2.6.1	Permanent ventilation	17
<b>3.0</b>	<b>Electric connection</b>	<b>18</b>
3.1	Connected load	18
3.1.1	Connected load (models with internal water tank)	18
3.1.2	Circuit diagram (models with external water tank)	18
3.1.3	Connected load (models with internal water tank)	19
3.1.4	Circuit diagram (models with external water tank)	20
<b>4.0</b>	<b>Maintenance &amp; repairs</b>	<b>22</b>
4.1	Replacing the ceramic tray	22
4.2	Replacing the water valve	24

## 1.0 Description of models

### 1.1 Model identifications

<b>CT 3xxx</b> .....	<b>CT = Cassette Toilet</b>
<b>CTS 3xxx</b> .....	free-standing toilet, with console, without flush water tank
<b>CTW 3xxx</b> .....	free-standing toilet, with console, with integrated flush water tank
<b>CTLP 3xxx</b> .....	free-standing toilet, with low console, with integrated flush water tank
<b>CTP 3110</b> .....	Free-standing toilet, with low console, without flushing water tank, movable on rails

### 1.2 Description of models

#### 1.2.1 CT 3050

Basic model, without rear panel and console, suitable for connecting with the shower basing when installing in a bathroom.

Components :

- Toilet bowl, cassette
- Water connection module
- Operator panel

Dimensions :

- Height : 529.7 mm
- Seat height : 505.2 mm
- Width: 345.7 mm
- Depth: 394.1 mm

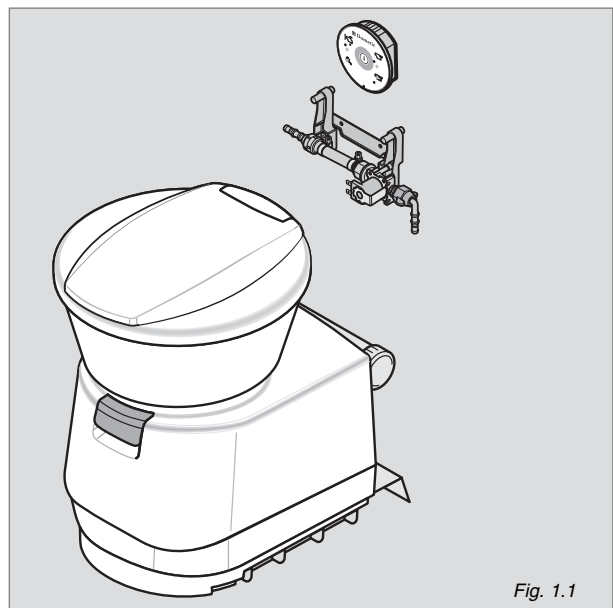


Fig. 1.1

**1.2.2 CTS 3050**

with console, without water tank, suitable for connecting with the shower basing when installing in a bathroom.

Components :

- Toilet bowl, cassette
- Water connection module mounted
- Operator panel mounted

Dimensions:

- Height : 529.7 mm
- Height console: 671.8 mm
- Width: 401.6 mm
- Depth: 514.4 mm

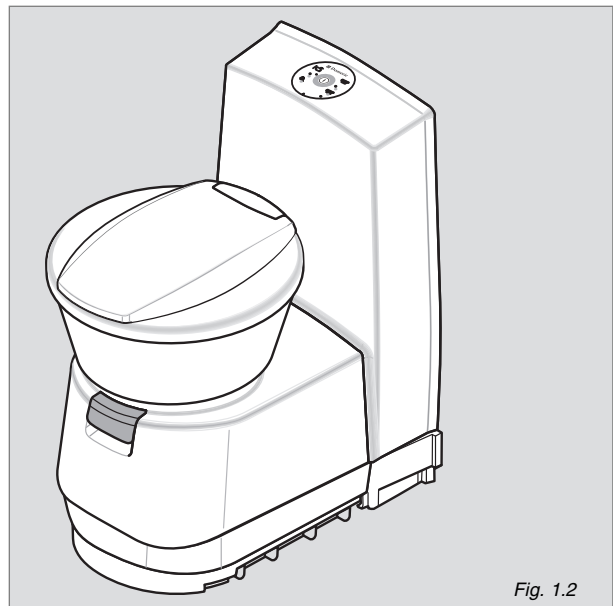


Fig. 1.2

**1.2.3 CTW 3050**

with console and integrated water tank, suitable for connecting with the shower basing when installing in a bathroom.

Components :

- Toilet bowl, cassette, watertank
- Water connection module mounted
- Operator panel mounted

Dimensions :

- Height : 529.7 mm
- Height console: 671.9 mm
- Width: 401.6 mm
- Depth: 514.4 mm

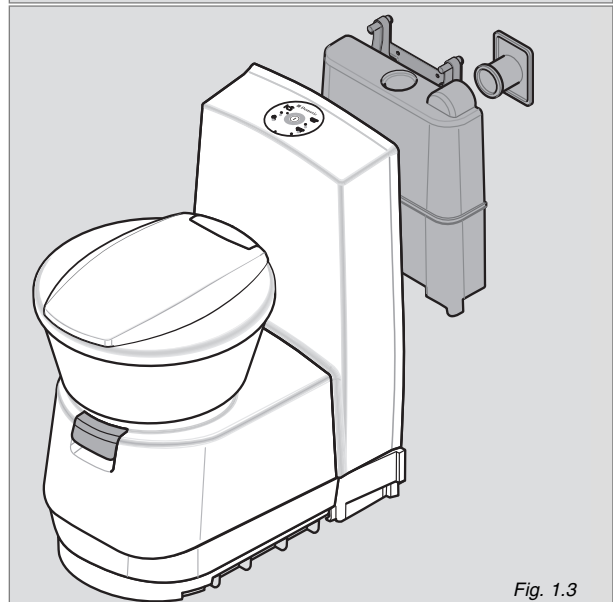


Fig. 1.3

**1.2.4 CTLP 3050**

low console, without water tank, suitable for connecting with the shower basing when installing in a bathroom.

Components :

- Toilet bowl, cassette
- Water connection module mounted
- Operator panel mounted

Dimensions :

- Height : 529.7 mm
- Height console: 500.0 mm
- Width: 401.6 mm
- Depth: 514.1 mm

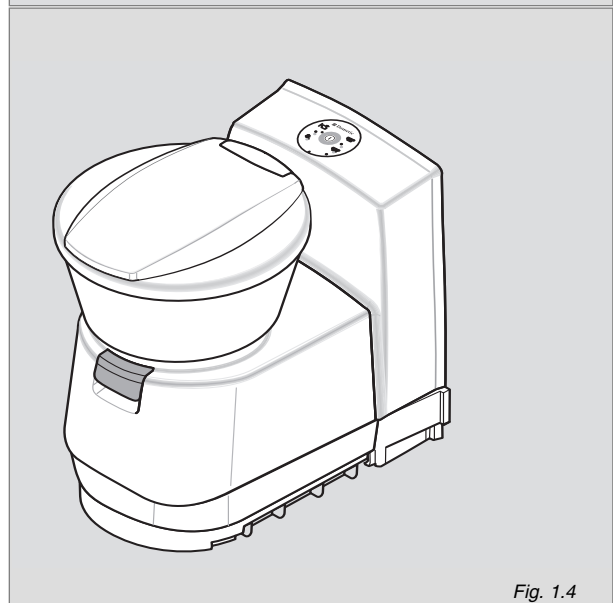


Fig. 1.4

### 1.2.5 CT 3110

Basic model, free-standing, without rear panel and console.

Components :

- Toilet bowl, cassette
- Water connection module
- Operator panel

Dimensions :

- Height : 529.7 mm
- Seat height : 505.2 mm
- Width: 345.7 mm
- Depth: 376.9 mm

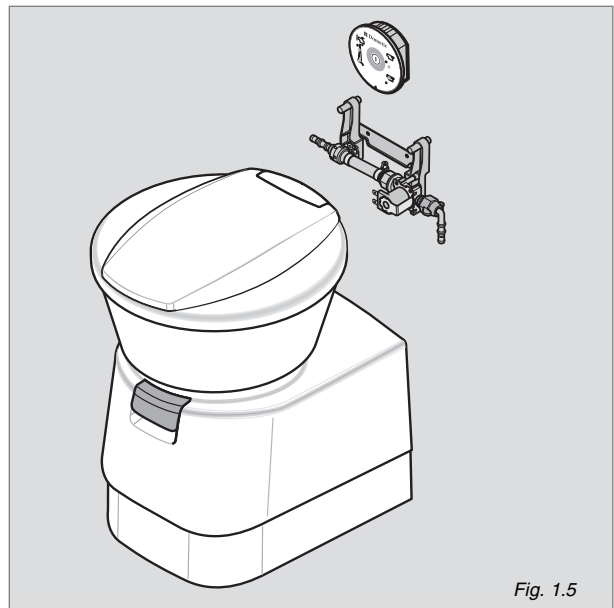


Fig. 1.5

### 1.2.6 CTS 3110

free-standing, with console, without water tank.

Components :

- Toilet bowl, cassette
- Water connection module mounted
- Operator panel mounted

Dimensions :

- Height : 529.7 mm
- Height console: 671.9 mm
- Width: 366.9 mm
- Depth: 500.2 mm

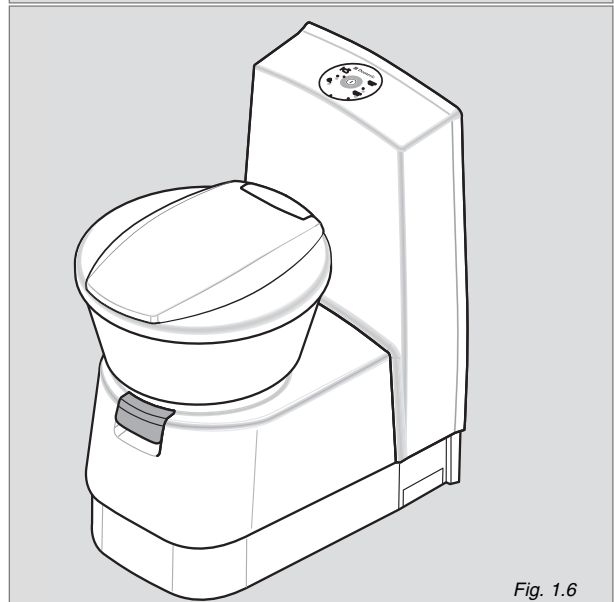


Fig. 1.6

### 1.2.7 CTW 3110

free-standing, with console, with integrated water tank.

Components :

- Toilet bowl, cassette, watertank
- Water connection module mounted
- Operator panel mounted

Dimensions :

- Height : 529.7 mm
- Height console 671.9 mm
- Width: 366.9 mm
- Depth: 500.2 mm

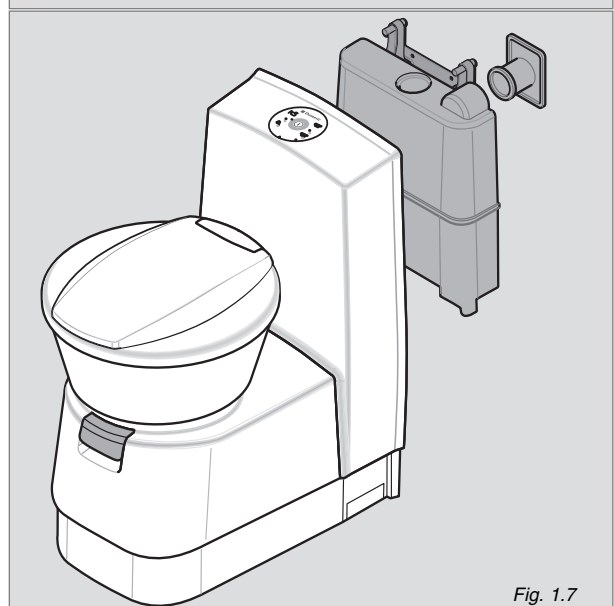


Fig. 1.7

**1.2.8 CTLP 3110**

free-standing, low console, without water tank.

Components :

- Toilet bowl, cassette
- Water connection module mounted
- Operator panel mounted

Dimensions :

- Height : 529.7 mm
- Height console: 500.0 mm
- Width 401.6 mm
- Depth: 514.1 mm

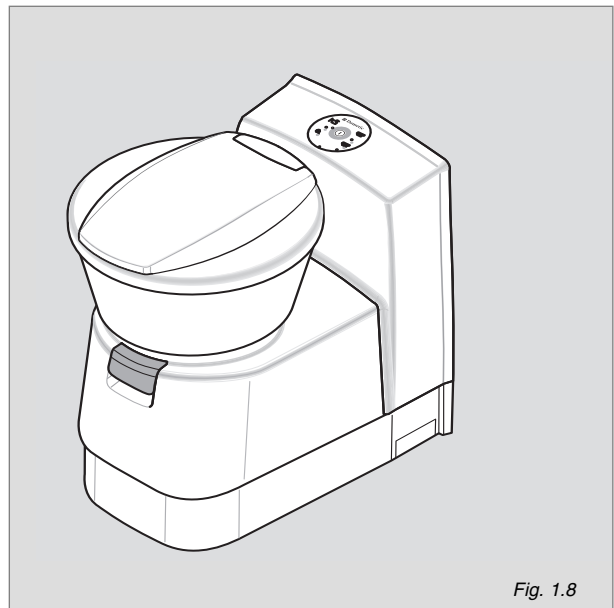


Fig. 1.8

**1.2.9 CTP 3110**

free-standing toilet, with low console, without flushing water tank, movable on rails

Components :

- Toilet bowl, cassette
- Water connection module mounted
- Operator panel mounted

Dimensions :

- Height : 529.7 mm
- Height console: 500.0 mm
- Breite: 401.6 mm
- Depth: 514.1 mm

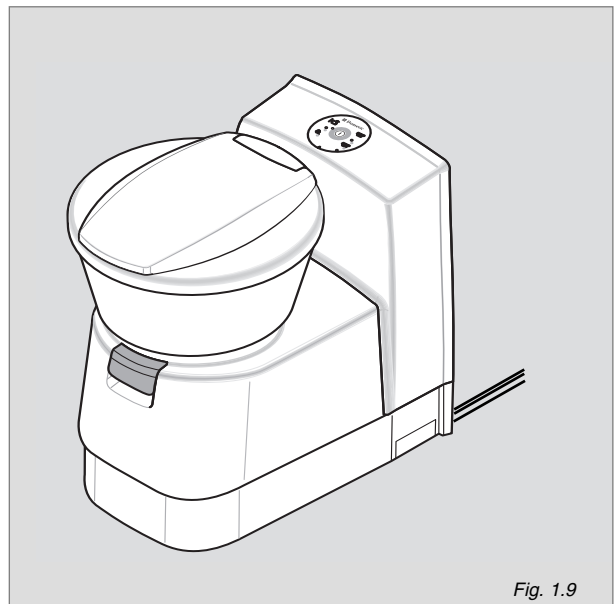


Fig. 1.9

## 2.0 Explanation of components

### 2.1 Name of components

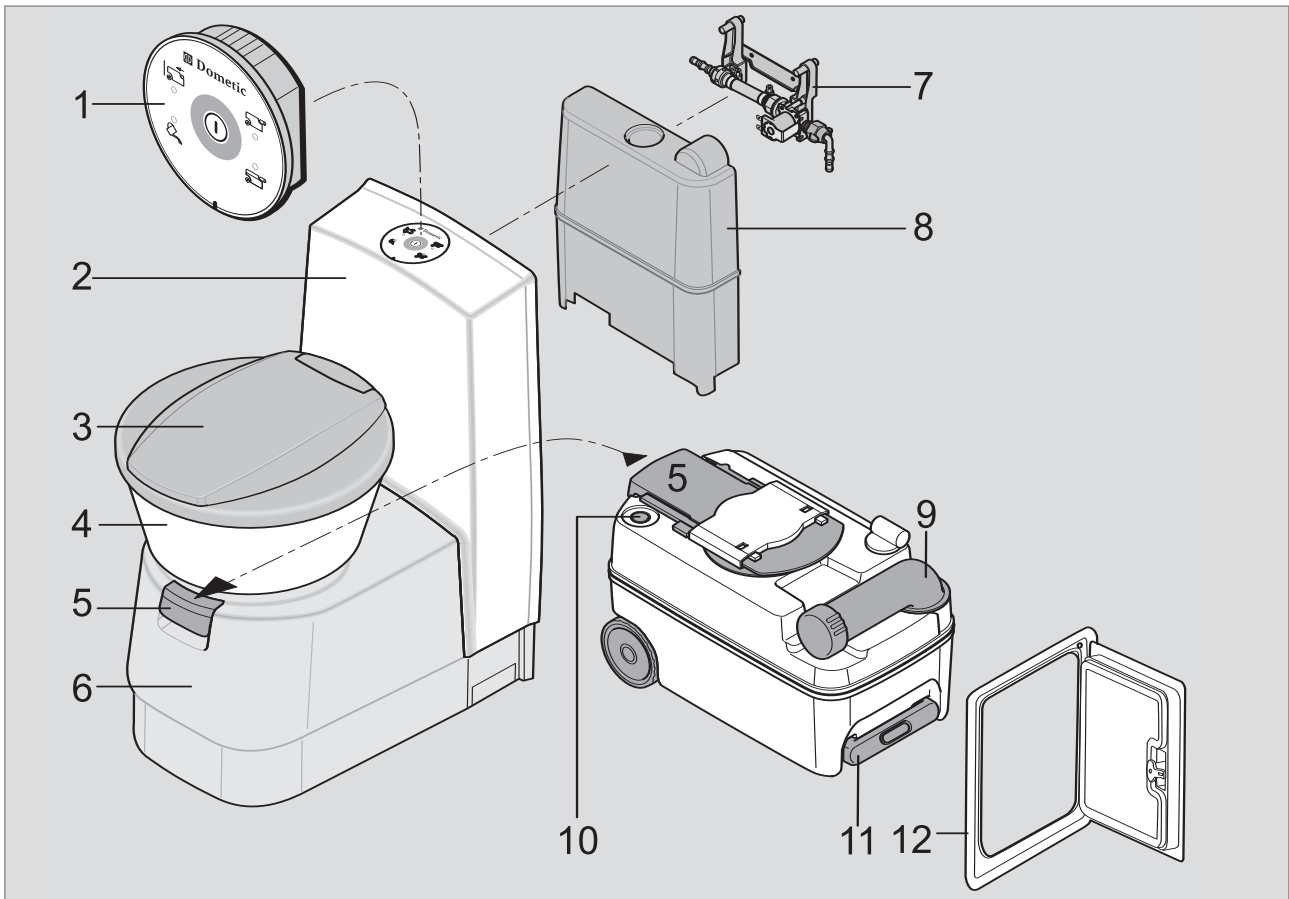


Fig. 2.1

- ① Level indicator / flush (control and operator panel)
- ② Console
- ③ Removable seat
- ④ Ceramic toilet bowl
- ⑤ Emptying blade for the toilet bowl
- ⑥ Housing for cassette tank
- ⑦ Water valve (water connection module)
- ⑧ Fresh water tank (capacity depends on the model)
- ⑨ Pour out spout
- ⑩ Vent button for emptying
- ⑪ Pull-out handle (cassette tank movable on wheels)
- ⑫ Service door



## 2.2 Adjustable toilet seat

### 2.2.1 Toilet seat

The toilet seat can be removed at all times with a special tool and moved into various positions.

### 2.2.2 Replacing the toilet seat

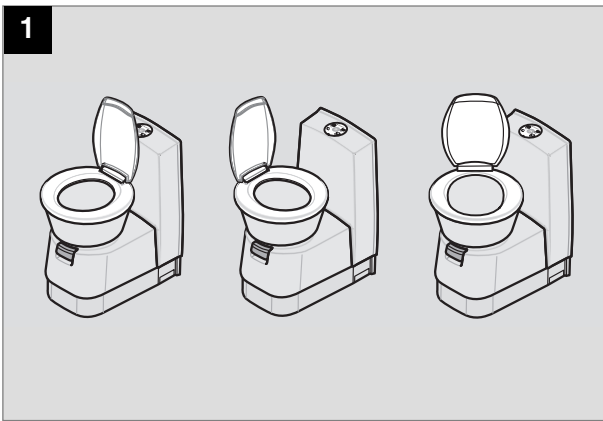


Fig. 2.2

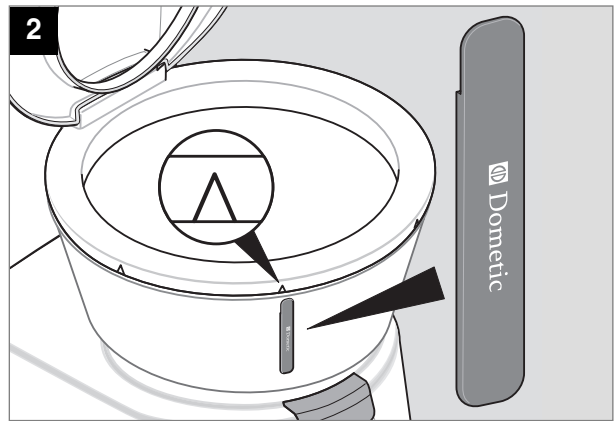


Fig. 2.3

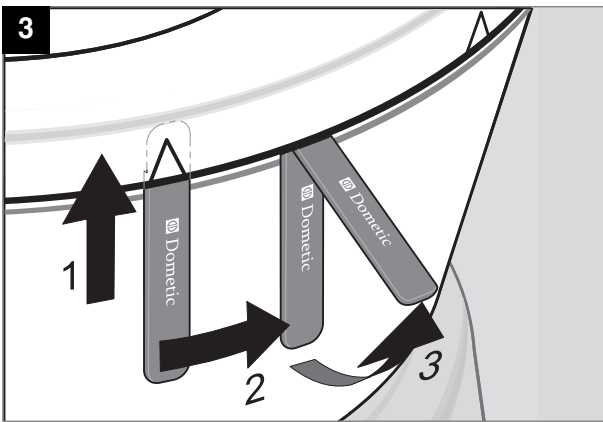


Fig. 2.4

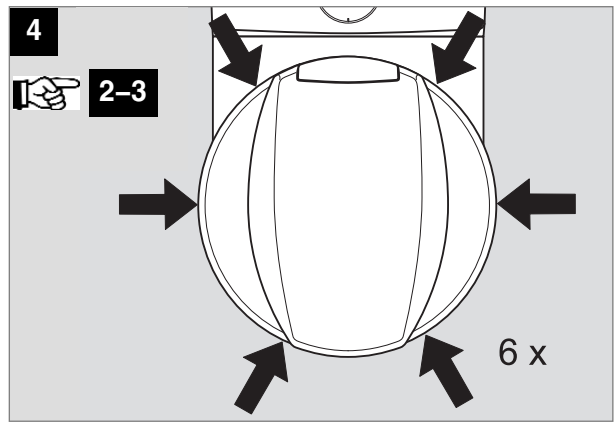


Fig. 2.5

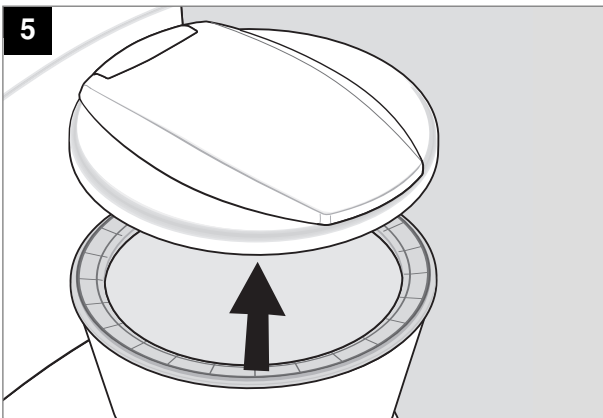


Fig. 2.6

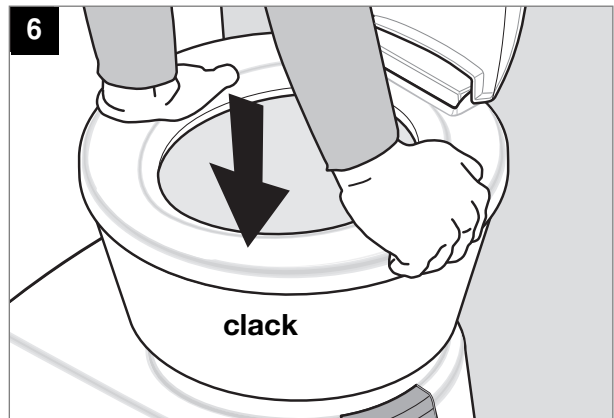


Fig. 2.7

## 2.3 Control and operator panel

### 2.3.1 Operation and display

The control and operator panel contains the operator key for flushing and the LED display for the status of the cassette and fresh water tank.

- 1 = "Flush" button
- 2 = "Cassette tank removed" display
- 3 = "Fill fresh water tank" display\*
- 4 = "Cassette tank 3/4 full" display
- 5 = "Cassette tank full" display

\* not connected as a rule when using the on-board tank.

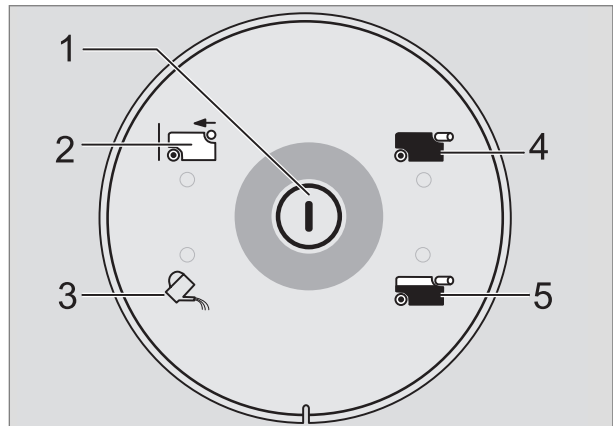


Fig. 2.8

- 2 = "Cassette tank removed" display

#### Cassette tank removed or not in correct position.

There is a micro switch (**a**) on the inside of the toilet housing which reports the incorrect position or removal of the cassette tank. The switch closes when the tank is inserted.

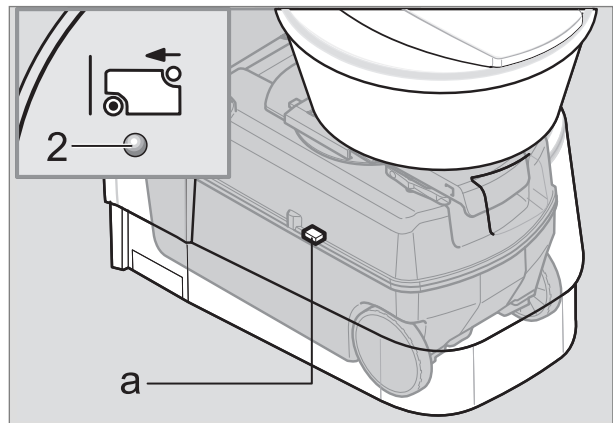


Fig. 2.9

- 3 = "Fill fresh water tank" display

**Fresh water tank is nearly empty.**

A floater **(b)** inside the fresh water tank reports when the tank is nearly empty. If the display appears, approx. 1.2 l of flushing water are still available (flushes twice approximately)..

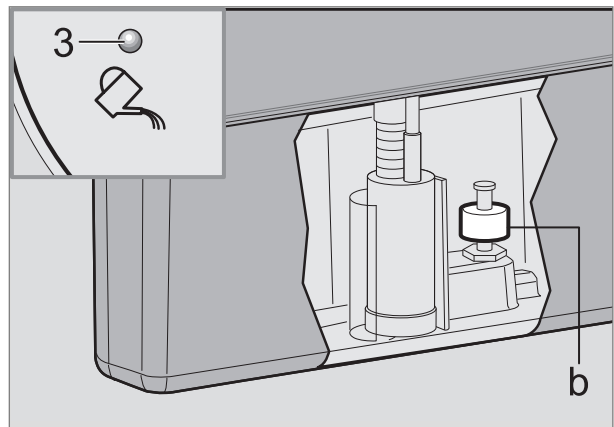


Fig. 2.10

- 4 = "Cassette tank full" display
- 5 = "Cassette tank 3/4 full" display

**Degree of filling the cassette tank.**

A floater inside **(c)** the cassette tank reports when the tank is nearly full or is full.

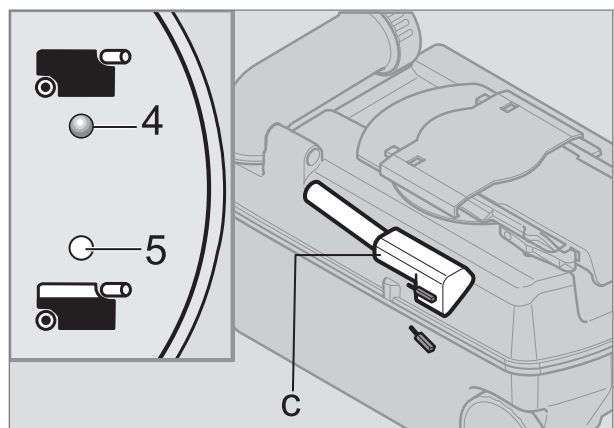


Fig. 2.11

### 2.3.2 Removing the control and operator panel

There are two control and operator panels depending on the model.

#### ■ Installing the console

Lift the operator panel with a suitable tool and remove it.

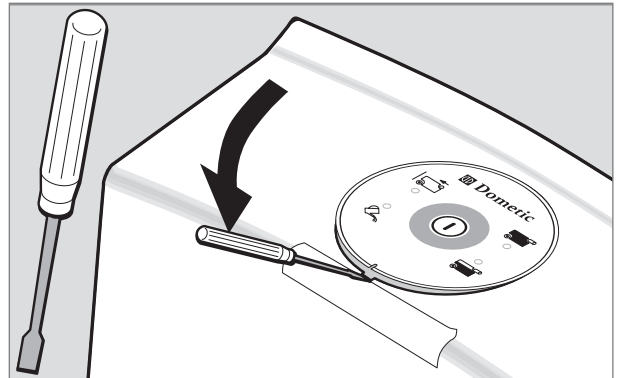


Fig. 2.12

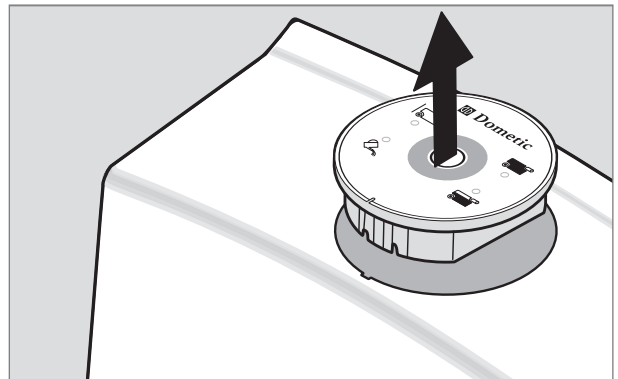


Fig. 2.13

#### ■ Installation in the wall or base

The operator panel is retained with clamps in the wall opening. Grab the operator panel on the edges of the **left** and **right** sides and pull it out.



**CAUTION!**

Do not touch the operator panel on the top and bottom edges when pulling it out.

There is a risk of injury due to retracting clamps.

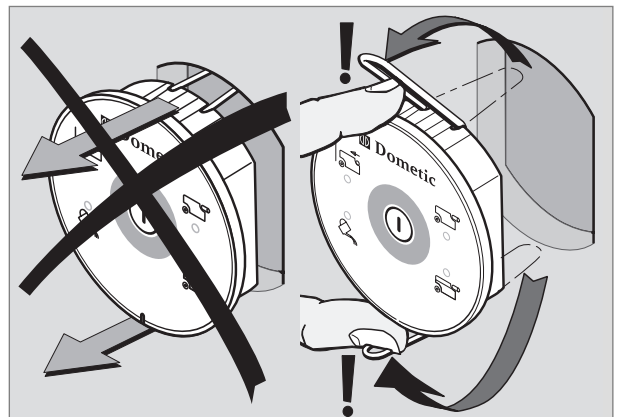


Fig. 2.14

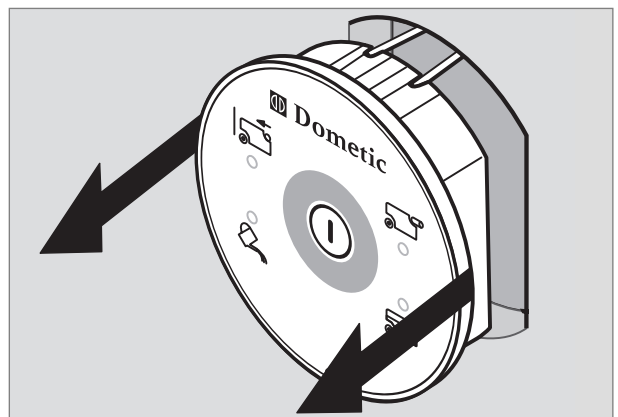


Fig. 2.15



## 2.4 Cassette tank

### 2.4.1 Components of the cassette tank

The control and operator panel contains the operator key for flushing and the LED display for the status of the cassette and fresh water tank.

- 1** = Pour out spout
- 2** = Retractable handhold for transportation
- 3** = adapter for cassette ventilation  
(connected via hose with ventilation opening in the door)
- 4** = Floater for filling level indicator
- 5** = Handhold
- 6** = Seal
- 7** = Blade
- 8** = Vent button for emptying

Capacity = 19l

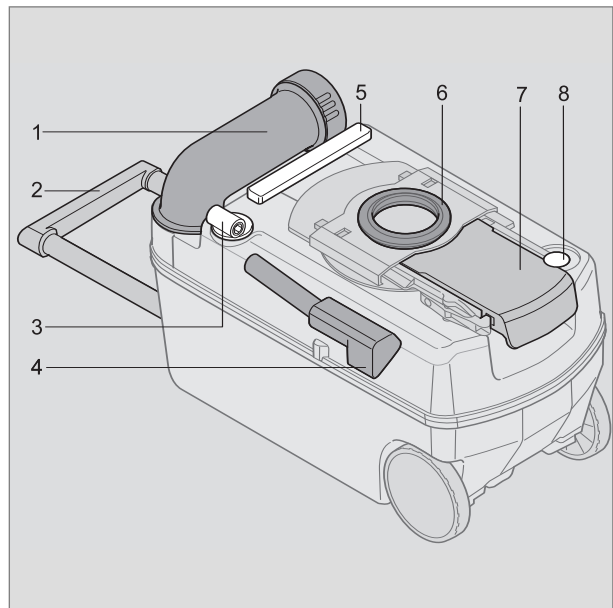


Fig. 2.16

### 2.4.2 Removing the cassette seal

The cassette seal must be cleaned for monthly maintenance. Remove the cassette tank and place it on a solid surface. Dismantle the entire blade, as illustrated in the following images. A seal can now be removed and cleaned or replaced.

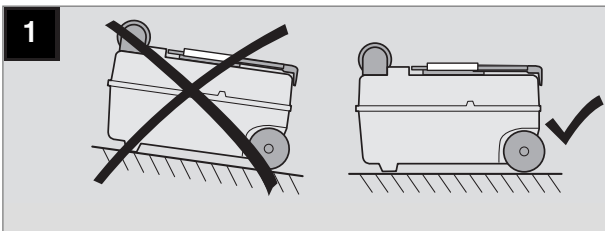


Fig. 2.17

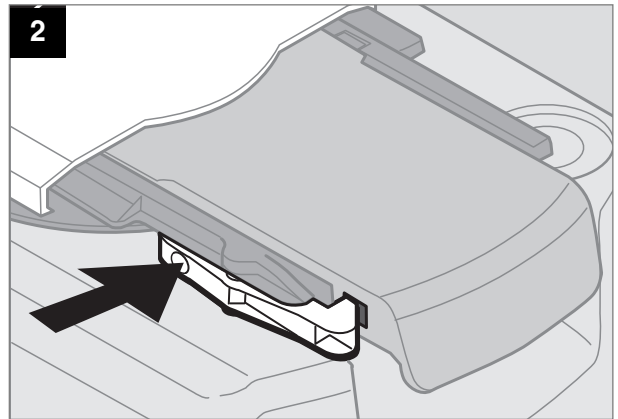


Fig. 2.18

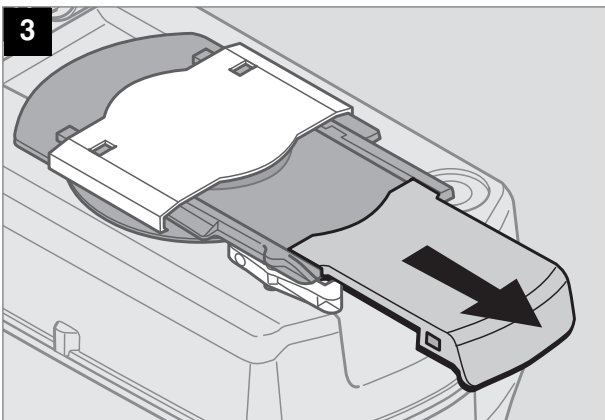


Fig. 2.19

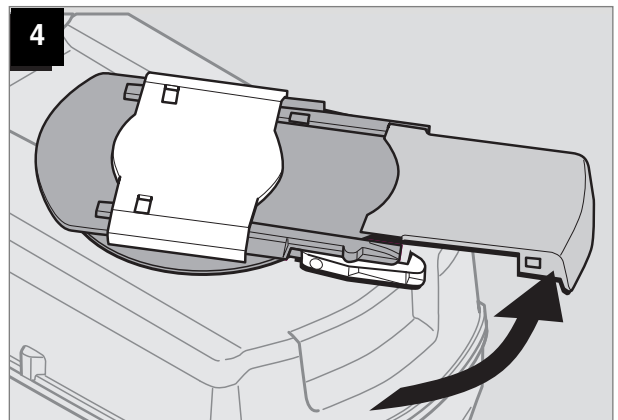


Fig. 2.20

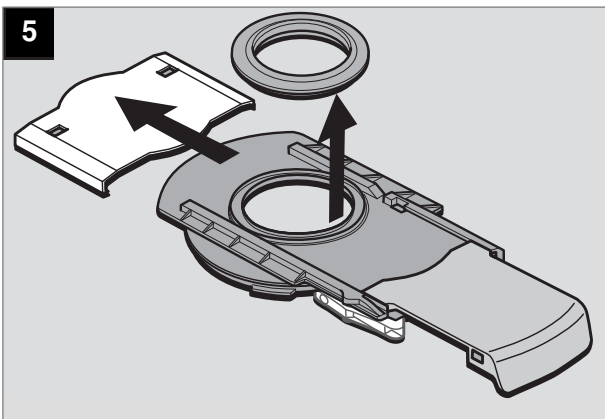


Fig. 2.21

## 2.5 Water valve

### 2.5.1 Water supply

The flushing water is supplied via a water valve (Fig. 2.22) which the water supply hose is connected to at the socket **(1)** of the fresh water tank. The toilet flush is provided via connection **(2)**. The wall holder **(3)** serves to fit a module and an optional water tank.

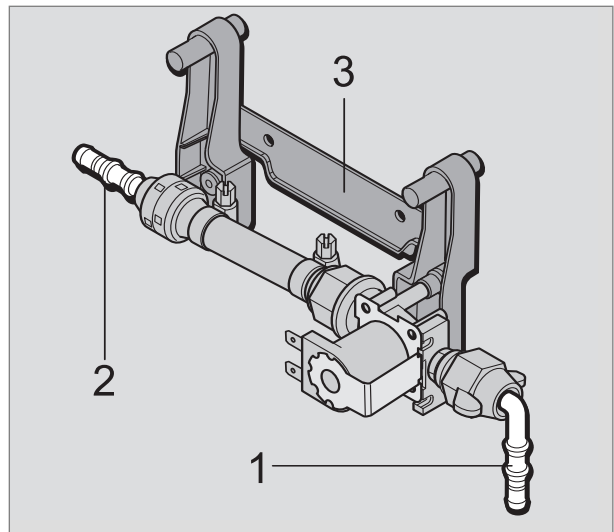


Fig. 2.22

For models without console, the water valve is fitted to the inside wall of the vehicle using the wall holder. To this end, the extraction of flushing water from the on-board fresh water tank is activated.

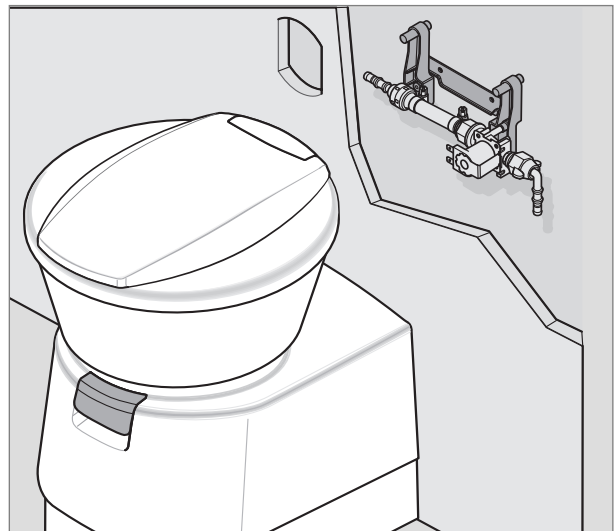


Fig. 2.23

The water valve is fitted inside the console for models with console. The flushing water comes from the integrated fresh water tank .

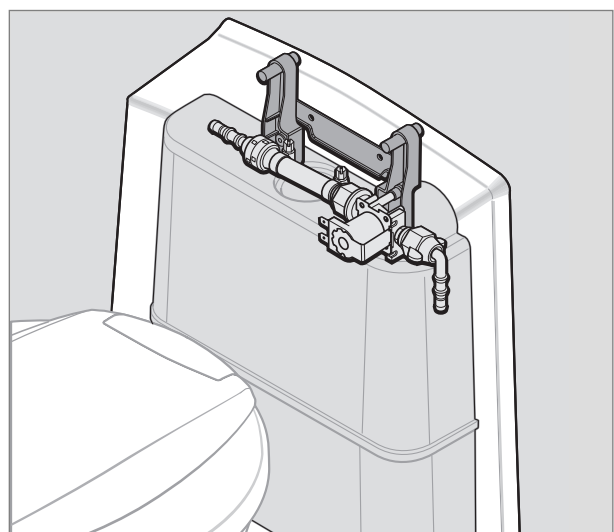


Fig. 2.24



## 2.6 Ventilation

### 2.6.1 Permanent ventilation

As long as the cassette tank is inserted, it is de-aired via the adapter (2) and hose (1). The ventilation hose is fitted on the inside of the SK service door (3). Ventilation outwards is ensured via a special exit opening in the door (Fig. 2.26).

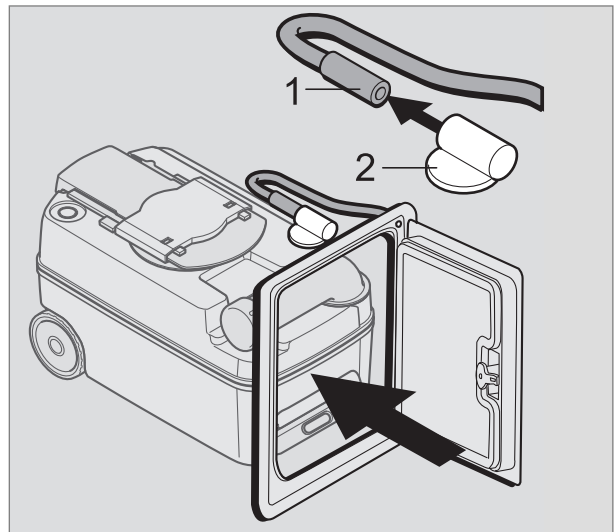


Fig. 2.25

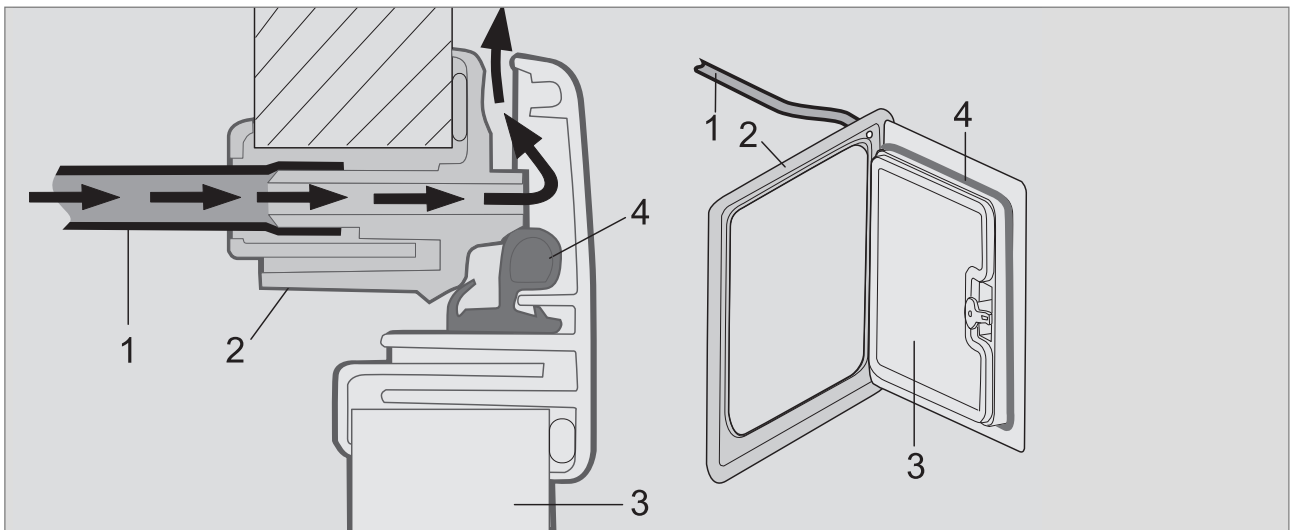


Fig. 2.26

## 3.0 Electric connection

### 3.1 Connection values

#### 3.1.1 CTW 3xxx models with integrated water pump

**Supply voltage** : 12 V DC

**12V connection cable profile** :  
min. 0.75 mm<sup>2</sup>

**Toilet control fuse** : 7.5 A  
(automobile fuse integrated)

**Power input of the pump** : max. 2 A

#### 3.1.2 CT/CTS/CTLP 3xxx models with external water pump

**Supply voltage** : 12 V DC

**12V connection cable profile** :  
min. 1.5 mm<sup>2</sup>

**Toilet control fuse** : 7.5 A  
(automobile fuse integrated)

**Power input of the pump** : max. 5 A

#### **CAUTION!**

The external water pump must not exceed a nominal power of 60 W (12V/5A).

3.1.3 Circuit diagrams (internal water tank in the tank housing, CTW 3xxx model)

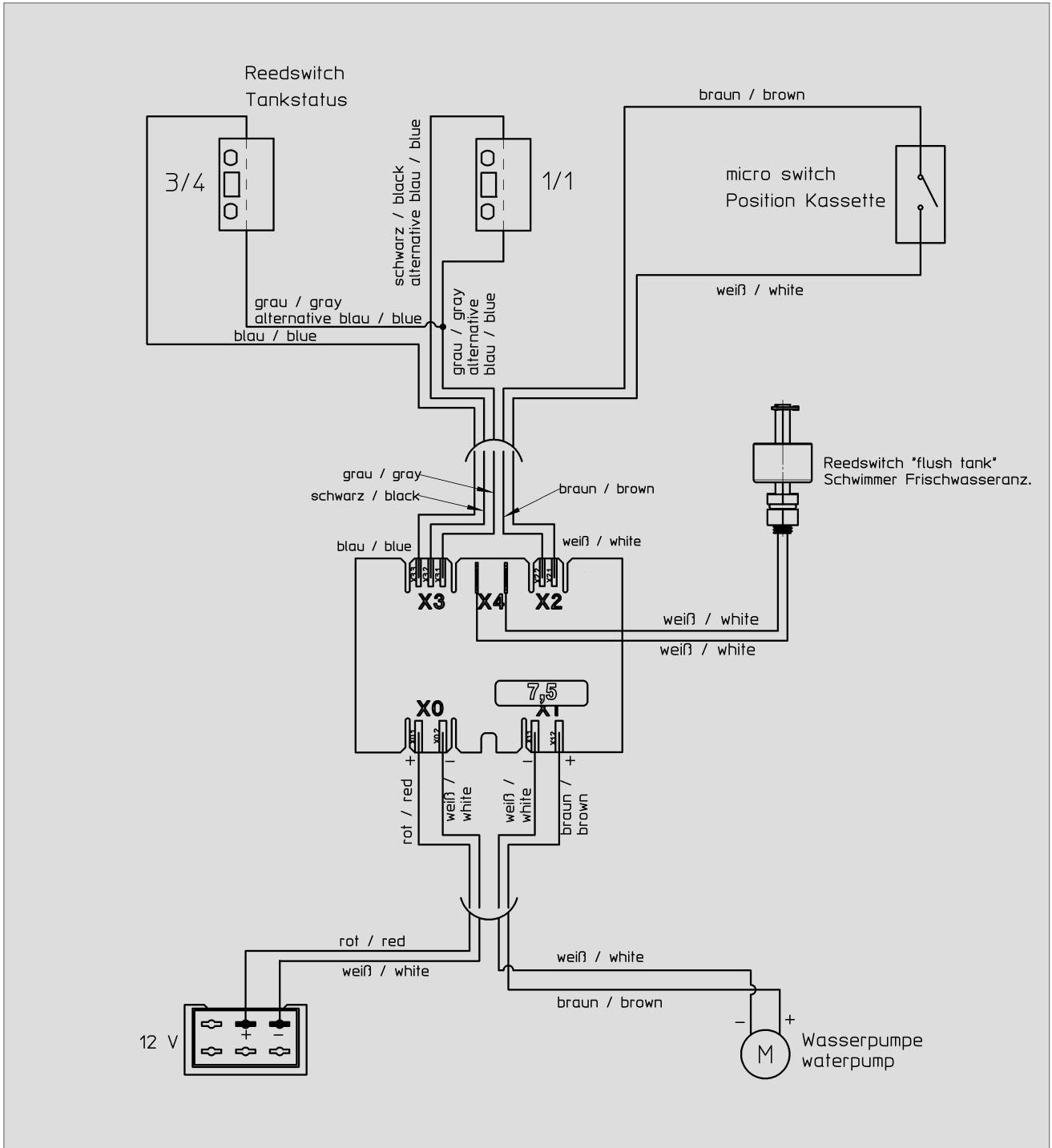


Fig. 3.1

**3.1.4 Circuit diagram (models with external water tank)**

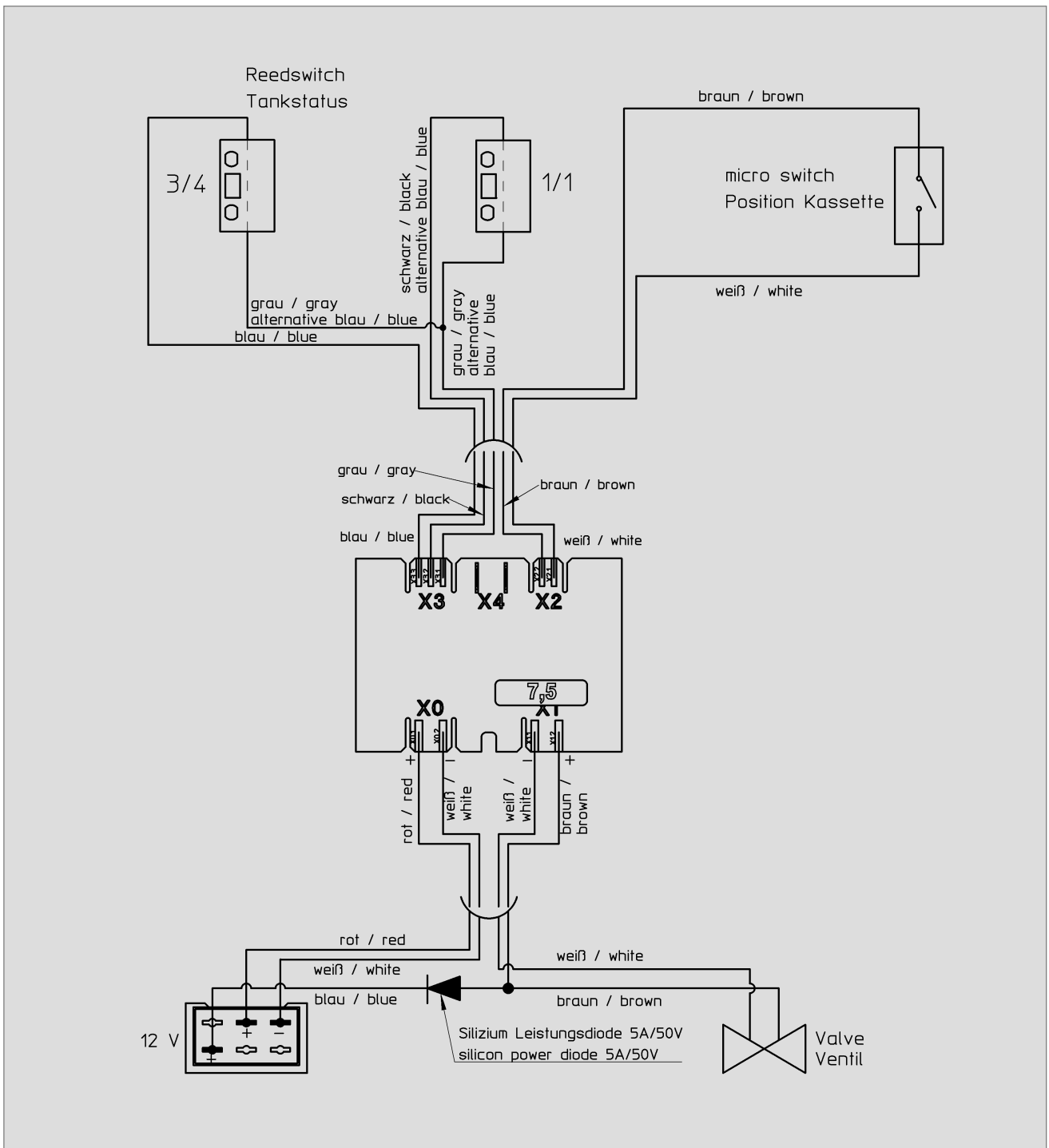


Fig. 3.2



## 4.0 Repairs & maintenance

### 4.1 Replacing the ceramic tray

To remove the ceramic tray, the seat must first be dismantled. To this end, proceed as described under item **2.2.2 Replacing the toilet seat**.

Then proceed as displayed by the following images.

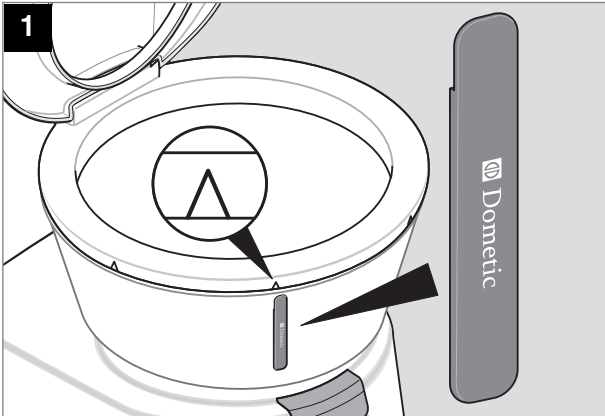


Fig. 4.1

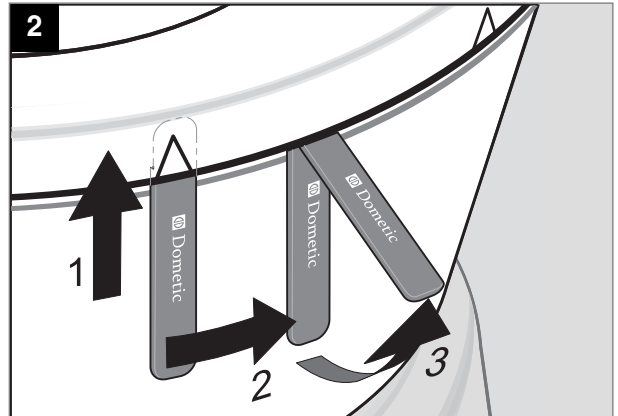


Fig. 4.2

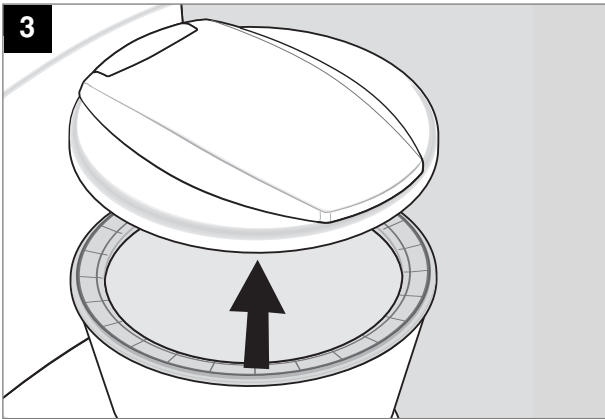
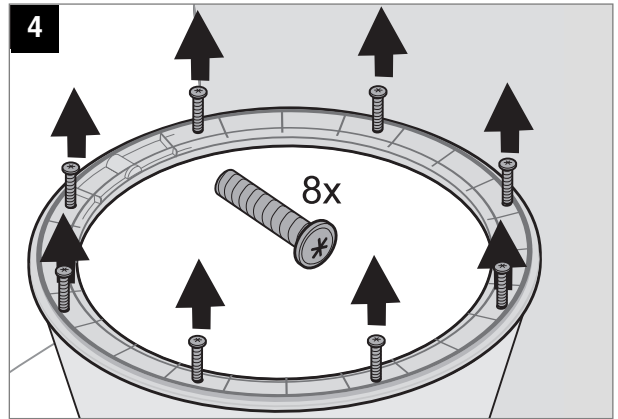


Fig. 4.2



8 x = 25TX (Torx)

Fig. 4.4

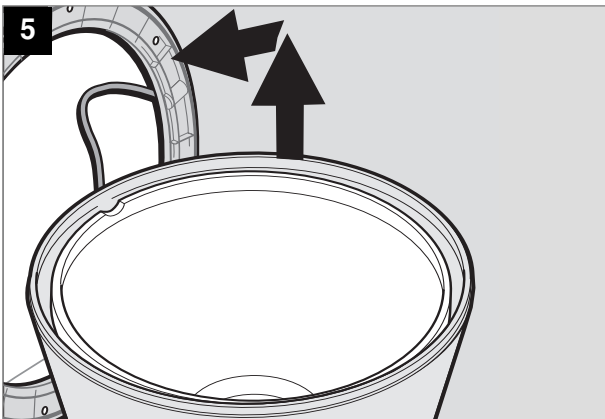


Fig. 4.5

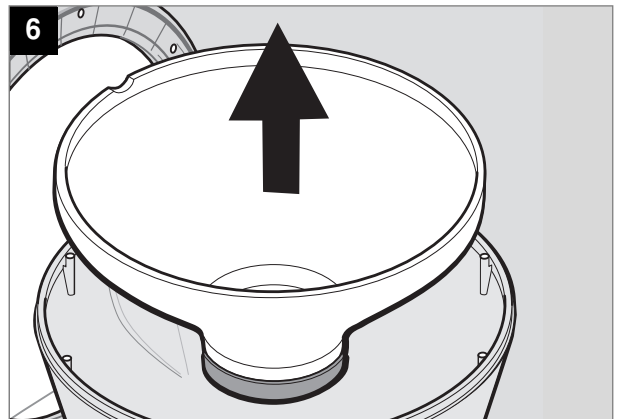


Fig. 4.6

**CAUTION!**

When fitting the new ceramic bowl, also insert a new sealing ring . Continued use of the previous sealing ring may result in leakage. The tray is fitted in opposite direction.

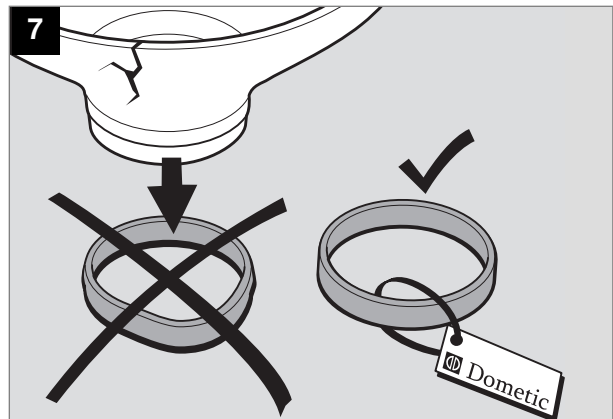


Fig. 4.7

To fit the tray, the reverse order applies.

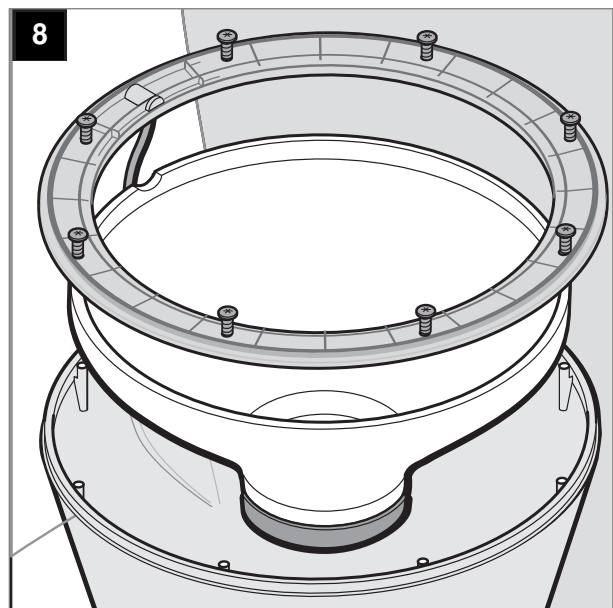


Fig. 4.8

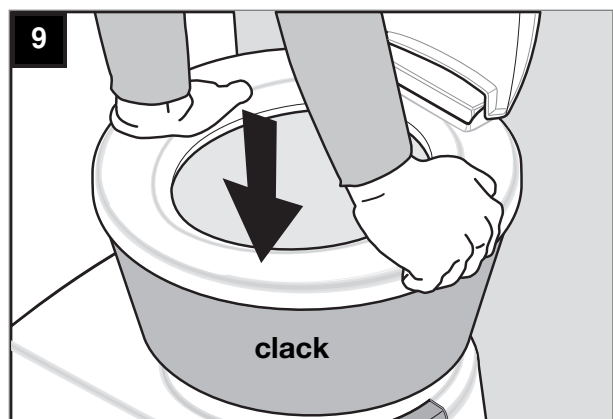


Fig. 4.9

## 4.2 Replacing the water valve

The toilet housing must be fully removed to replace the water valve.

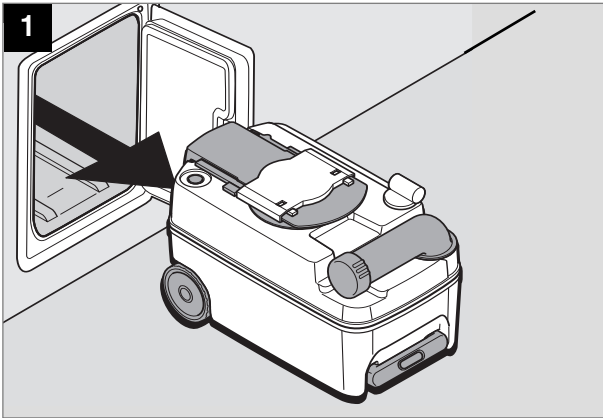


Fig. 4.10

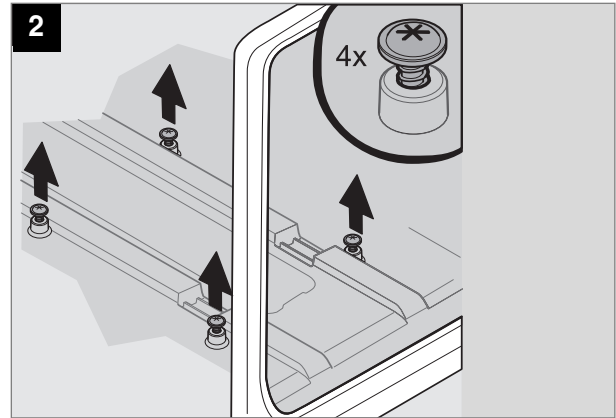


Fig. 4.11

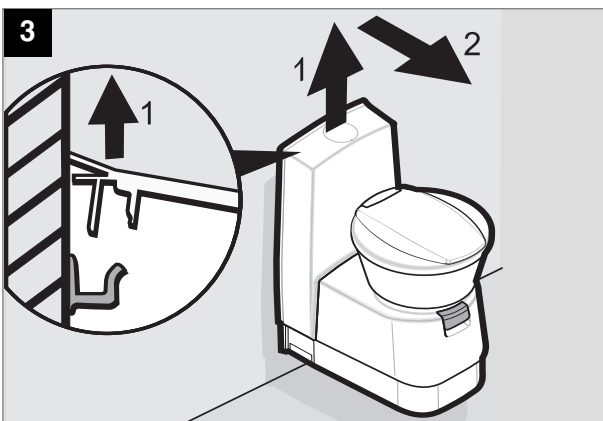


Fig. 4.12

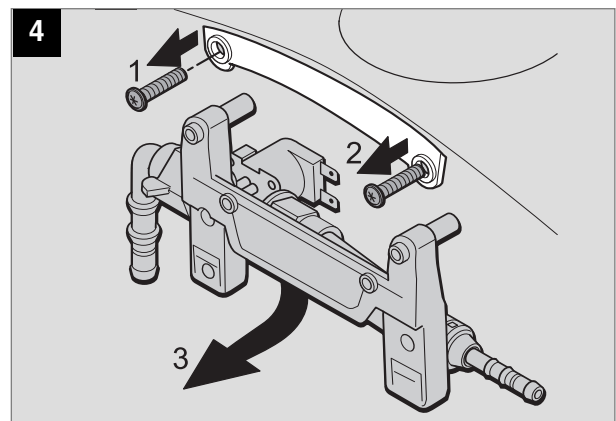


Fig. 4.13

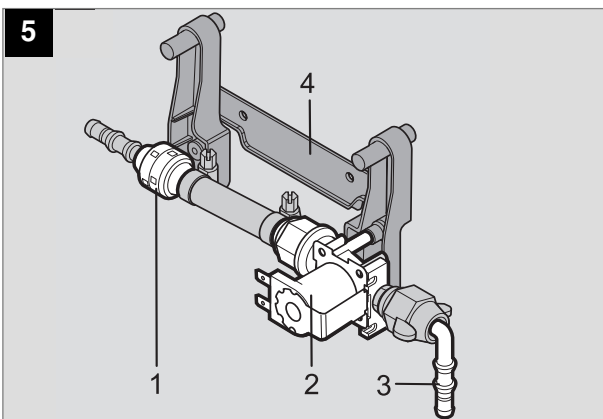


Fig. 4.14

- 1 = Check valve
- 2 = Electromagnetic valve
- 3 = Hose connector
- 4 = Bracket



