

Rastrollo 2000

Art. 60

Content
Ordering Details
Technical Drawings
Spare Parts

Rastrollo 2000, Art.60

Ordering Details

Please identify ordering size by using the technical drawing on page 3/4

Dimensions:

Size A	x	Size B
(ordering size width)		(ordering size height)
(min. 300 mm/max. 2000 mm)		(max. 1300 mm/it depends of the width)
mm	x	mm

Colour:

Cassette	<input type="checkbox"/>	pearl-white	RAL 1013
	<input type="checkbox"/>	grey-white	RAL 9002
	<input type="checkbox"/>	traffic-white*	RAL 9016
<hr/>			
Flynet	<input type="checkbox"/>	fabric white	StFI 7
	<input type="checkbox"/>	tree pattern*	StFI 10
<hr/>			
Blind	<input type="checkbox"/>	alu - sand	StFo 240
	<input type="checkbox"/>	alu - grey	StFo 55
	<input type="checkbox"/>	alu - white*	StFo 45

Customer:

Part No. Customer

Remarks:

Signature:

Date:

* = only for manufacturers

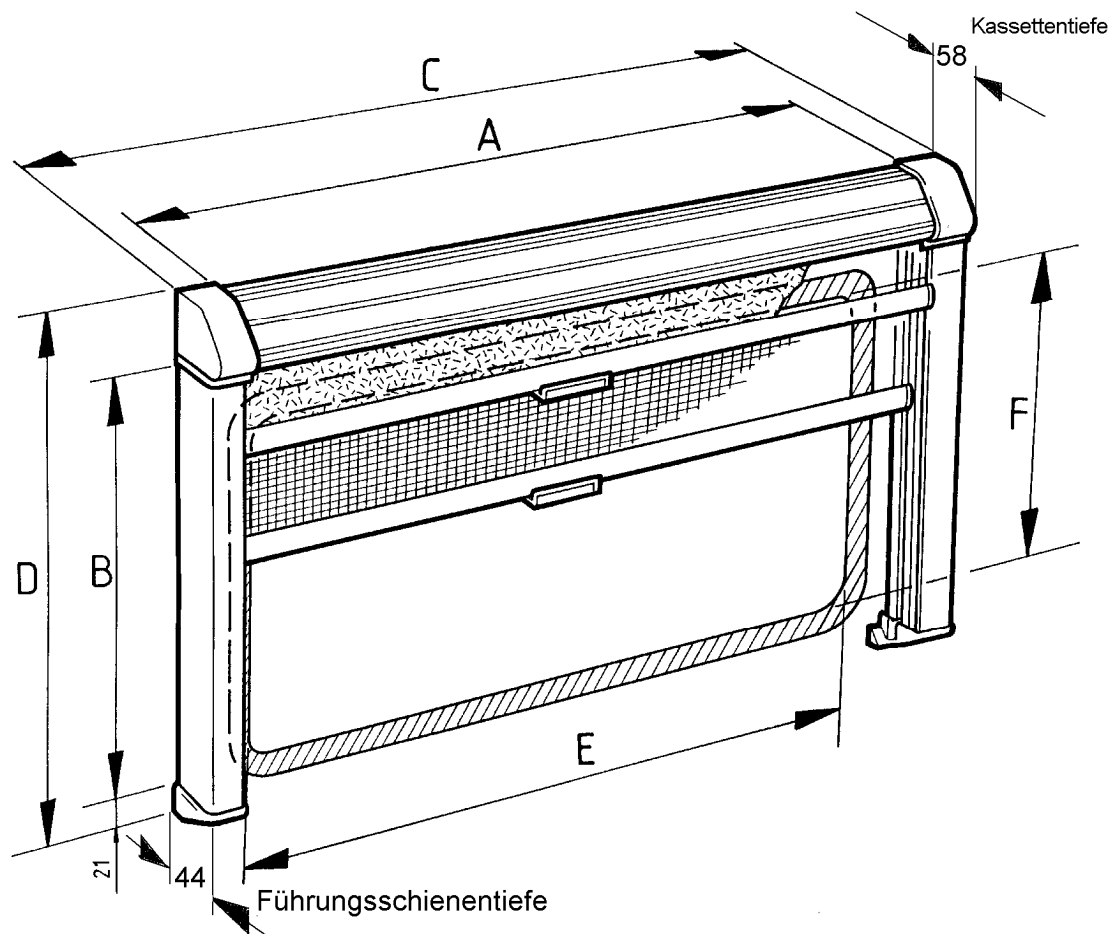
Rastrollo 2000, Art.60

Technical Drawing

Dimension:

Size A ordering size width (length of cassette)	→= size E + 34 mm mm
Size B ordering size heights (length of guide tracks)	→= size F + 58 mm mm
Size C complete width	→= size A + 40 mm	
Size D complete heights	→= size B + 94 mm	
Size E width of window		
Size F height of window		

Attention: Sizes A and B have to be rounded up or down to full 10 mm steps.



Rastrollo 2000, Art.60

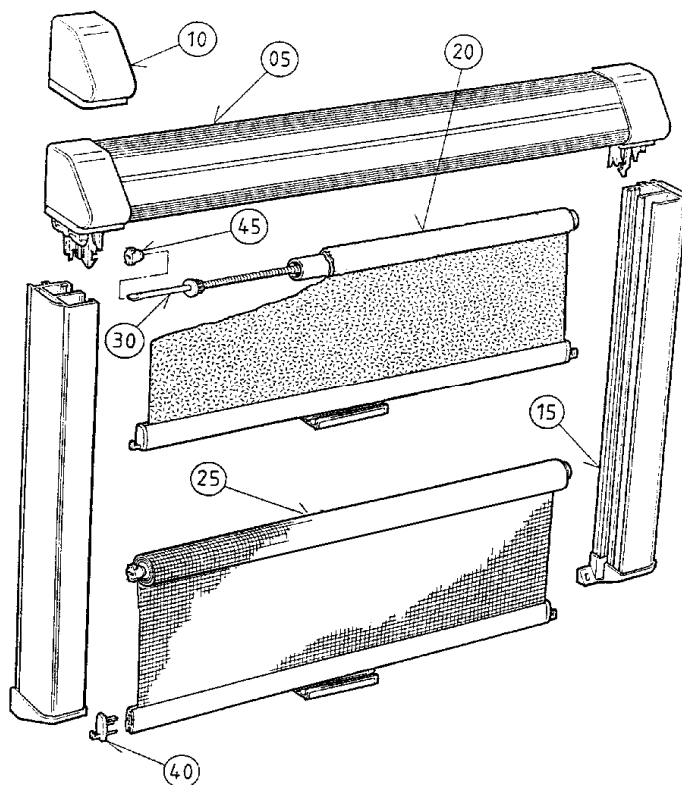
Spare Parts

Size A = Ordering size width (length of cassette)

Size B = Ordering size height (length of guiding track)

	Description	Part No.	Pack. Unit
5	Cassette complete with fittings	BG0048 ...	1
10	Cassette end cover caps	BG0050 ...	1 pair
15	Side tracks with end caps	BG0049 ...	1 pair
20	Complete blind	VR0060 ...	1
25	Complete fly net	FR0060 ...	1
30	Spring motor (see table below)	FM ...	1
40	End hook	SP0420 ... Z	1 pair
45	Tensioning bush	SP0413 ... Z	1 pair

Important: When ordering specify – description, quantity, colour of cassette, colour of blind and flynet, colour of aluminium profile, dimension (size A x size B).



Standard spring motor



Damped spring motor



Overview spring motors

Type	Length	Blind width	blind length	damped
FM0081	270 mm	until 1000 mm		no
FM0082	360 mm	until 1000 mm		no
FM1015	220 mm	until 400 mm		yes
FM1016	290 mm	400 – 600 mm		yes
		600 – 1100 mm	< 700 mm	yes
		1100 – 1500 mm	< 500 mm	yes
FM1017	400 mm	600 – 1100 mm	> 700 mm	yes
		1100 – 1400 mm	> 500 mm	yes
		1500 – 2000 mm		yes